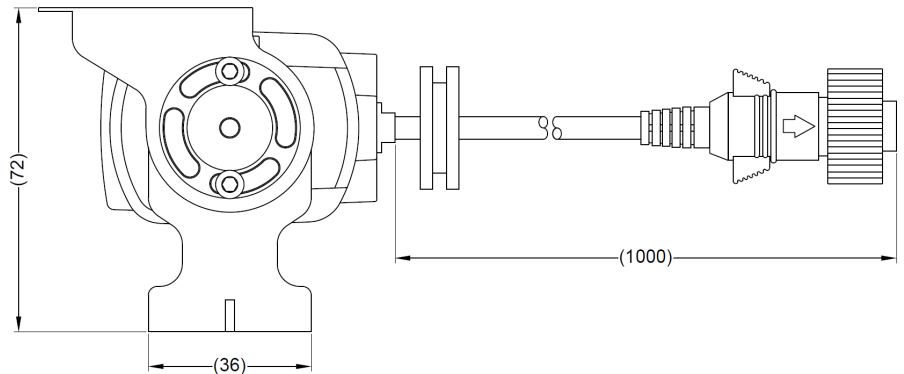
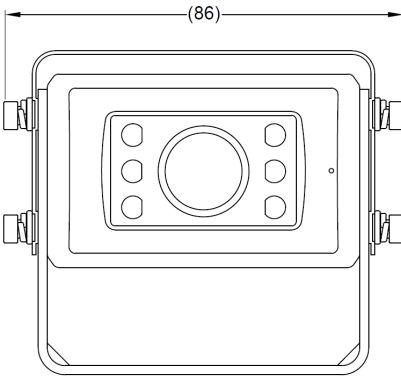


# Product Specification



<b>Brigade Model Number:</b>	<b>BE-800C</b>	<b>BE-800C(40)</b>	<b>BE-800C(78)</b>	<b>BE-801C</b>	<b>BE-801C(40)</b>	<b>BE-801C(78)</b>
<b>Part Number:</b>	<b>1623E</b>	<b>1559D</b>	<b>1426D</b>	<b>1905D</b>	<b>2085C</b>	<b>2084C</b>



Dimensions: mm

## Environmental Specifications:

- Shock Rating: 51G (3 axis, 6 directions)
- Vibration Rating: 8.5G (3 axis, random frequency)
- Connector IP Rating: IP67
- Camera IP Rating: IP68, IP69K
- Operating Temperature: -40°C to +85°C
- Storage Temperature: -40°C to +85°C

## Approved Standards:

- CE (EN 61000-6-1:2007 + A1:2011 + AC:2012 / EN 61000-6-3:2007 + AC:2005)
- FCC (47 CFR Part 15 Subpart B)
- Industry Canada (ICES-003)
- E-Mark (ECE Regulation 10 Rev 05) - For all (ECE Regulation 46 Rev 06 with BE-870LM) - For BE-800C only
- EMC for Earth Moving Machinery (ISO 13766:2006)
- EMC for Construction Equipment (EN 13309:2010)
- Ingress Protection (ISO 20653:2006)
- Salt Spray Corrosion (ISO 16750-4)
- RoHS
- WEEE

## Technical Specifications:

- Operating Voltage: 12 Vdc
- Current Consumption: ≤ 370mA @ 12 Vdc
- Power Consumption: ≤ 4.5Watts @ 12 Vdc
- TV System: BE-800C(XX) - PAL  
BE-801C(XX) - NTSC
- Picture Elements: BE-800C(XX) 720(H) x 576(V)  
BE-801C(XX) 620(H) x 480(V)
- Visual Resolution: BE-800C 425 TVL  
BE-800C(40) 475 TVL  
BE-800C(78) 425 TVL  
BE-801C 450 TVL  
BE-801C(40) 400 TVL  
BE-801C(78) 425 TVL

## Technical Specifications Continued...

- Viewing Angle: BE-800C 109°(H) 85°(V) 135°(D)  
BE-800C(40) 34°(H) 25°(V) 40°(D)  
BE-800C(78) 71°(H) 53°(V) 87°(D)  
BE-801C 110°(H) 89°(V) 138°(D)  
BE-801C(40) 35°(H) 26°(V) 42°(D)  
BE-801C(78) 73°(H) 55°(V) 91°(D)
- Mirror/Normal: Mirror & Normal
- Required illumination: 0Lux (IR LEDs ON)
- Video Output: 1.0Vp-p/75Ω (PAL/NTSC)
- Length of Cable: 1000mm
- Overall Dimensions: (With Bracket) 86mm (W) x 80mm (D) x 72mm (H)
- Weight: 335g
- Casing Material: Die cast Aluminium
- Colour: Black

## Features:

- Wide Dynamic Range
- Automatic White Balance
- Fixed IRIS - Aperture F2.5
- 5 x High Power Infrared LEDs
- Integrated Day/Night Sensor
- Integrated Heater
- Integrated Microphone
- BE Type Connector
- High Performance Sony CMOS Chip

## Package Contents:

- 1 x (BE-80XC-C) Camera
- 1 x (BE-89XC.BE-X0XC-BKT) Bracket
- 1 x (BE-89XC.BE-X0XC-SS) Sunshield
- 1 x (BE-8/2XXC-FIX) Fixing Pack
- 1 x (BE-8XXC.2XXC-IG) Instruction Guide